

# KISSI

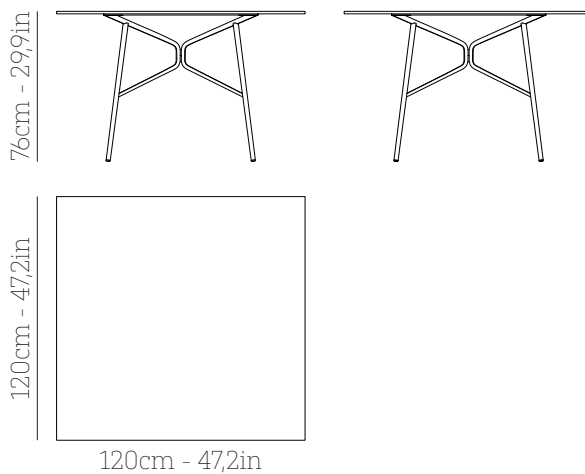
Design Denis Barbiero



## Square table 120 cod. KSSTQ120

Steel frame  
Top in steel or HPL or Grès

6 persons



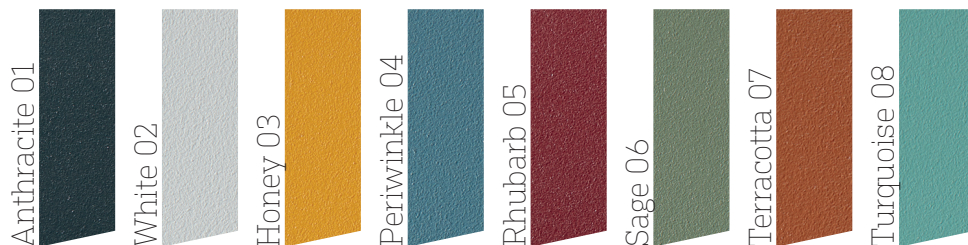
\* 2D and 3D files are available at [www.babel.it](http://www.babel.it)

### Anticorrosive primer®

Application of a coat of protective anticorrosive epoxy resin-based paint.

### Powder coating

60-80µm polyester powder coating for outdoor resistance and high protection.



### Steel maintenance

BABEL D products are treated to guarantee a long service life while preserving their functional and aesthetic qualities. BABEL D products will last longer if you take care of them by cleaning them with a soft cloth and water or neutral detergents every three to six months, depending on the

environmental and climatic conditions.

Do not use abrasive detergents and brushes. Be careful using BABEL D products in marine environments with high humidity or near swimming pools, especially in closed environments if chlorine is used as a disinfectant.

## Square table 120 cod. KSSTQ120

### Top in HPL (High Pressure Laminate)

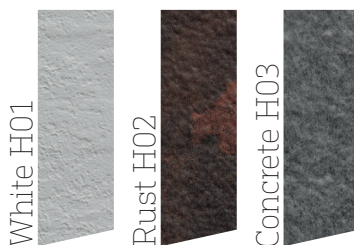
HPL consists of layers of paper impregnated with thermosetting resins and compacted with decorative paper and a protective coating. It is a self-supporting durable material suitable for outdoor use as it is resistant to weathering. Available in three different colours and textures [white, rust or concrete effect].

#### Maintenance

HPL tabletops can be washed with water and dried with a soft cloth. If necessary, use a sponge or a cleaner suitable for laminates and dry the surface with a cloth to avoid marks.

Do not use powders or abrasive cleaners.

 sp. 12mm



### Top in Grès

Grès is a natural mixture of selected ceramic clays and mineral colours. This material combines inalterability over time, stain- and scratch-resistance, waterproofness and is easy to clean.

It is ideal for outdoor use because its excellent physical and mechanical properties resist high temperatures and it is impervious to weathering and unaffected by UV rays.

#### Maintenance

Use a damp cloth to clean stoneware daily. Periodically you can use a neutral liquid detergent with a soft sponge. If necessary, you can use a mildly abrasive sponge, possibly with a specific stain remover. Avoid using steel wool pads. Do not place hot objects [pots, pans, grills] directly on the sheets. Avoid shocks in the most delicate points, such as the edges.

 sp. 12mm

