

# MELIK

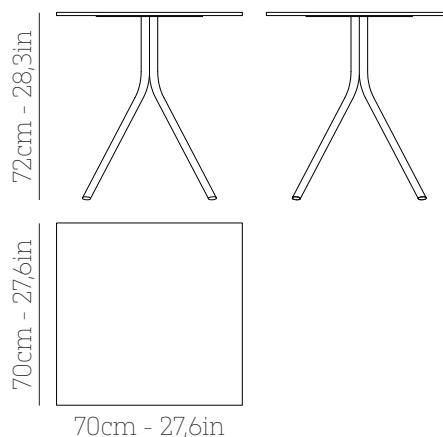
Design BrogliatoTraverso

BABEL  
D

## Square table 70 cod. MLKTQ070

Steel frame  
Top in steel or HPL

4 persons

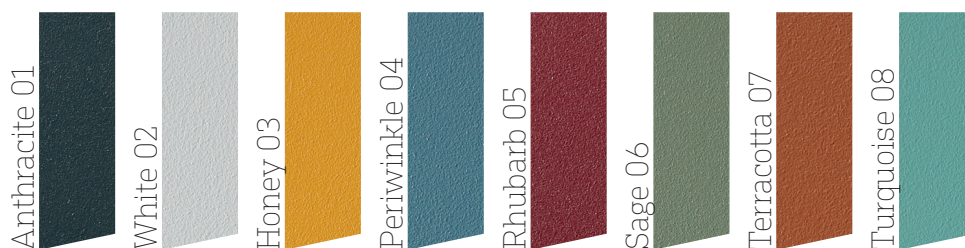


### Anticorrosive primer®

Application of a coat of protective anticorrosive epoxy resin-based paint.

### Powder coating

60-80µm polyester powder coating for outdoor resistance and high protection.



### Steel maintenance

BABEL D products are treated to guarantee a long service life while preserving their functional and aesthetic qualities. BABEL D products will last longer if you take care of them by cleaning them with a soft cloth and water or neutral detergents every three to six months, depending on the

environmental and climatic conditions.

Do not use abrasive detergents and brushes. Be careful using BABEL D products in marine environments with high humidity or near swimming pools, especially in closed environments if chlorine is used as a disinfectant.

\* 2D and 3D files are available at [www.babel.it](http://www.babel.it)

# MELIK

Design BrogliatoTraverso



## Square table 70 cod. MLKTQ070

### Top in HPL (High Pressure Laminate)

HPL consists of layers of paper impregnated with thermosetting resins and compacted with decorative paper and a protective coating. It is a self-supporting durable material suitable for outdoor use as it is resistant to weathering. Available in three different colours and textures (white, rust or concrete effect).

### Maintenance

HPL tabletops can be washed with water and dried with a soft cloth. If necessary, use a sponge or a cleaner suitable for laminates and dry the surface with a cloth to avoid marks.

Do not use powders or abrasive cleaners.

 sp. 12mm

